

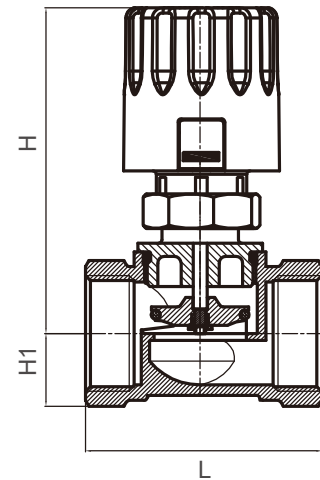
# FC300 Series Fan-Coil Motorized Heating Valves

**FC300** series motorized-heating two-way valves are mainly used to control the opening and closing of cold water and hot water in the terminal of the fan coil units within the air conditioning systems in order to provide a comfortable room temperature of the fan coil units of the air conditioning systems in order to provide a comfortable room temperature. When needed, the motorized heating valve will automatically turn on after receiving the control signal transmitted from the room temperature controller, then cool or warm the room as required. When temperature reaches the specified value, the room temperature controller will automatically cancel the output signal, and the motorized heating valve will turn off slowly, cutting off the water source. FC300 series motorized heating valves are set to be powered off prior to delivery.



## Product Features

- Forged-brass shell.
- Slow opening and closing, no noise, and reduced water hammer effect.
- Leak-free EPDM/PTFE sealing.
- The body structure is the normally-closed two-way type.
- The body comes with the spring return function.
- The actuator is connected to the ferrule of the body by a loose joint, easy to assemble.
- Thread standards: BSPT and NPT.
- Small size and light weight.



## Technical Parameters

**Power Supply Voltage:** 230 VAC, 24 VAC ±10% 50 Hz

**Power:** < 3 W

**Working Pressure:** 1.6 Mpa

**Medium:** Water

**Medium Temperature:** 5°C ~ 90°C (40°F ~ 194°F)

**Ambient Temperature:** 0°C ~ 60°C (32°F ~ 140°F)

**Action Time:** 3 Minutes

**Ingress Protection:** IP44

## Materials

**Body:** Brass

**Disc:** Brass

**Shaft:** Stainless Steel

**Spring:** Stainless Steel

**Sealing:** EPDM/PTFE

**Shell:** ABS Plastic

## Flow Parameters

Model	Dimension (In)	Structure	Kv value	Cv value	Differential pressure (MPa)
T215FC300	1/2"	二通	2.2	2.5	0.20
T220FC300	3/4"	二通	3.0	3.5	0.18
T225FC300	1"	二通	6.9	8.0	0.15

## Dimensions/Weight

Model/Dimension (mm)	L	H	H1	Lbs	Kg
T215FC300	66	94	16	0.57	0.26
T220FC300	66	94	18	0.66	0.30
T225FC300	68	94	22	0.93	0.42